

PRODUCT DETAILS

G 05-SS

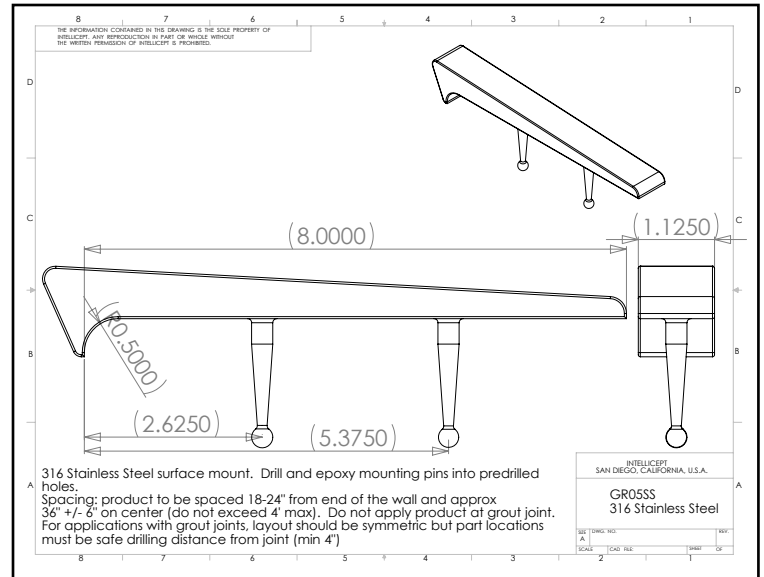
("G" Series - Surface Mount Stainless Steel)



1547 N. Cuyamaca, El Cajon, CA 92020
Tel 619-447-6374 Fax 619-447-6396

www.skatestoppers.com

Description: This 316 Stainless Steel part is designed for walls with 1/2" radius edge. G 05-SS is most commonly used on concrete. This part uses two concealed G PIN anchors.



Material: 316 Stainless Steel

Standard Finish: Brushed

Corner Radius: For corner from 1/2" radius.

Outside Dimensions: 1-1/8" (wide) x 8" (deep) x 1" (tall)

Anchoring: Anchored with two blind G PINS anchor pins. Use anchors in conjunction with two-part epoxy.

Product Spacing: 18"-24" from end of planters/walls and approximately 36" centers (not to exceed 48"). Do not apply product at grout joint. For applications with grout joints, layout should be symmetric but part locations must be safe drilling distance from joint (min 4").