

PRODUCT DETAILS

Hand Series

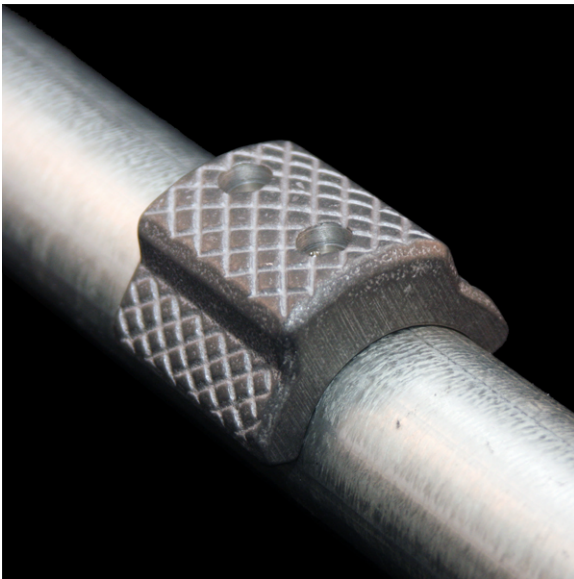
(Hand Rail Series)



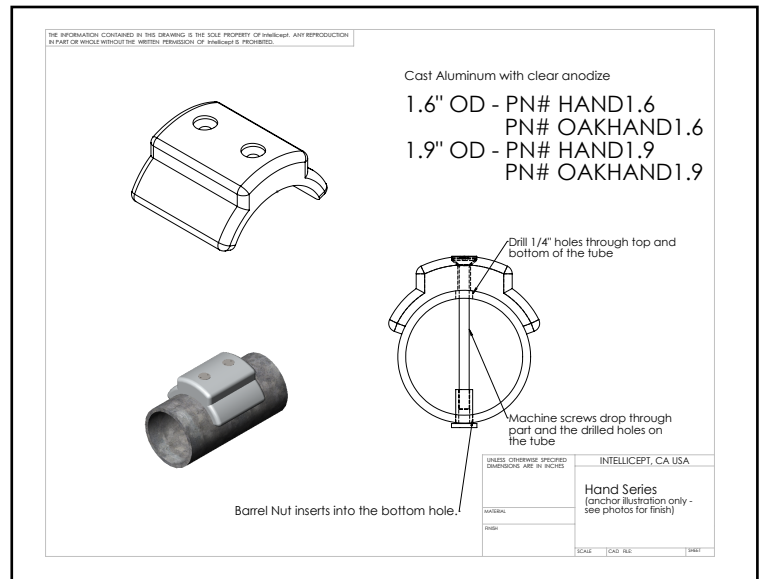
1547 N. Cuyamaca, El Cajon, CA 92020
Tel 619-447-6374 Fax 619-447-6396

www.skatestoppers.com

Description: The cast parts are designed for round, tubular handrails. The part is attached with two tamper resistant screws and barrel nuts.



(shown in Cast Aluminum)



Material: Cast Aluminum with Clear Anododize coating (will accept paint).

Outside Rail Diameter: Available for 1.6 and 1.9 outside diameter.

Outside Dimensions: Approx. 2" long.

Anchoring: Anchored with two tamper resistant screws and barrel nuts.

Product Spacing: Spacing is generally symmetric to vertical post at approximately 30" (+6") centers. Part cannot be applied over the post.