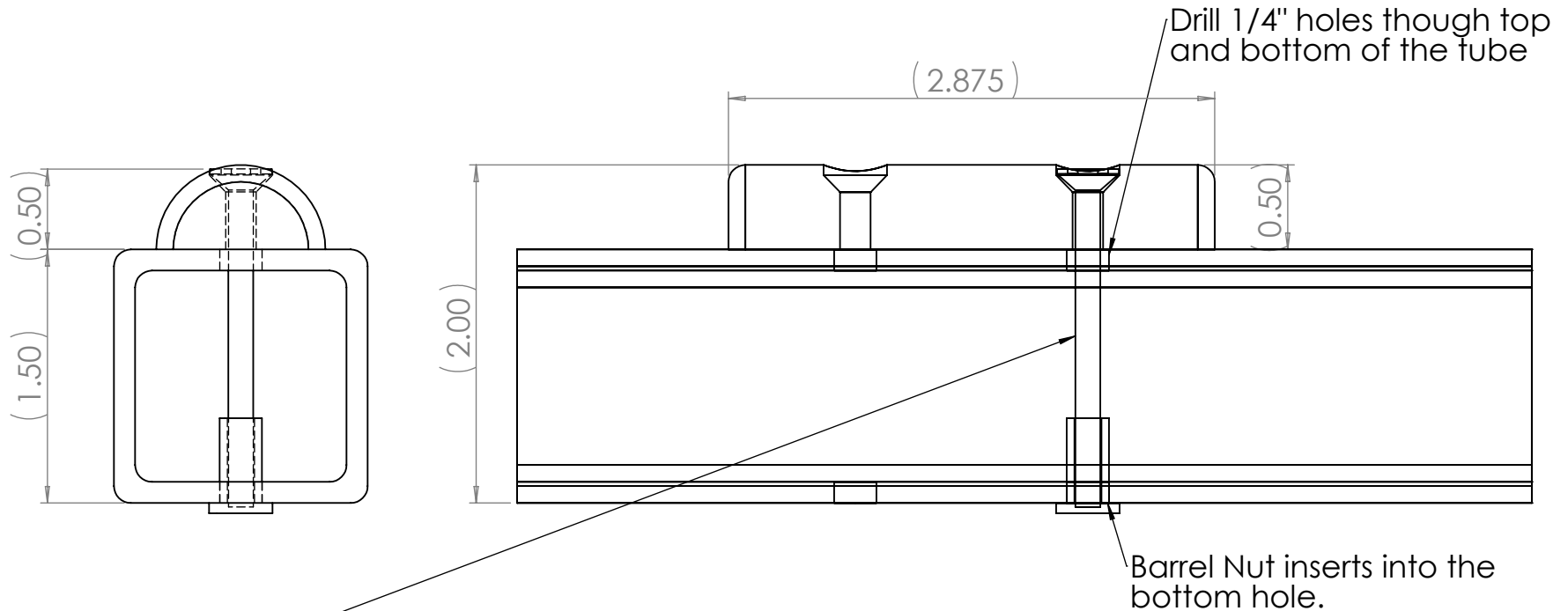
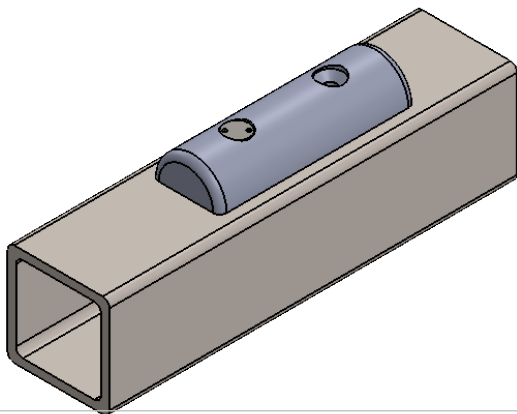


*This example uses 2" screws. 0.5" Part Thickness **PLUS** 1.5" Tube*



NOTE: Fasteners are available in 2", 1.5", 1", and .75" ONLY. Please identify the hardware length that you require when you order. YOU MUST check that your application will work with these lengths before your order. If you are attaching to solid steel bar, this fastening system will NOT work.



UNLESS OTHERWISE SPECIFIED DIMENSIONS ARE IN INCHES		INTELLICEPT, CA USA	
MATERIAL		HRFlat (anchor illustration only - see photos for finish)	
FINISH			
SCALE	CAD FILE:	SHEET	