

PRODUCT DETAILS

FR 0.12 BC

(FR Series - Surface Mount Aluminum)

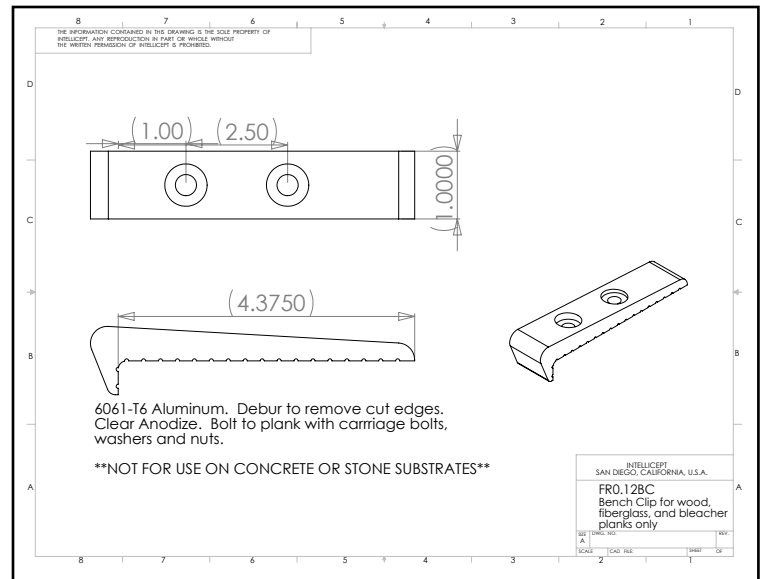


1547 N. Cuyamaca, El Cajon, CA 92020
Tel 619-447-6374 Fax 619-447-6396

www.skatestoppers.com

Description: Model FR0.12BC is designed specifically for fiberglass, aluminum, plastic lumber or wood benches.

NOTE: THIS PART IS NOT TO BE USED ON CONCRETE, STONE, TILE, BRICK OR OTHER HARDSCAPE SUBSTRATES (Use FR 0.12)



Material: 6061-T6 Aluminum

Finish: Hard tumbled to remove all machined and/or cut edges. Aluminum finish options include Type II Clear Anodize.

Corner Radius: For corner with 1/8" radius.

Outside Dimensions: 1" (wide) x 4-3/4" (deep) x 1" (tall)

Anchoring: Bolt to plank with carriage bolts, washers and nuts.

Product Spacing: 18" from end of bench and approximately 36" centers.