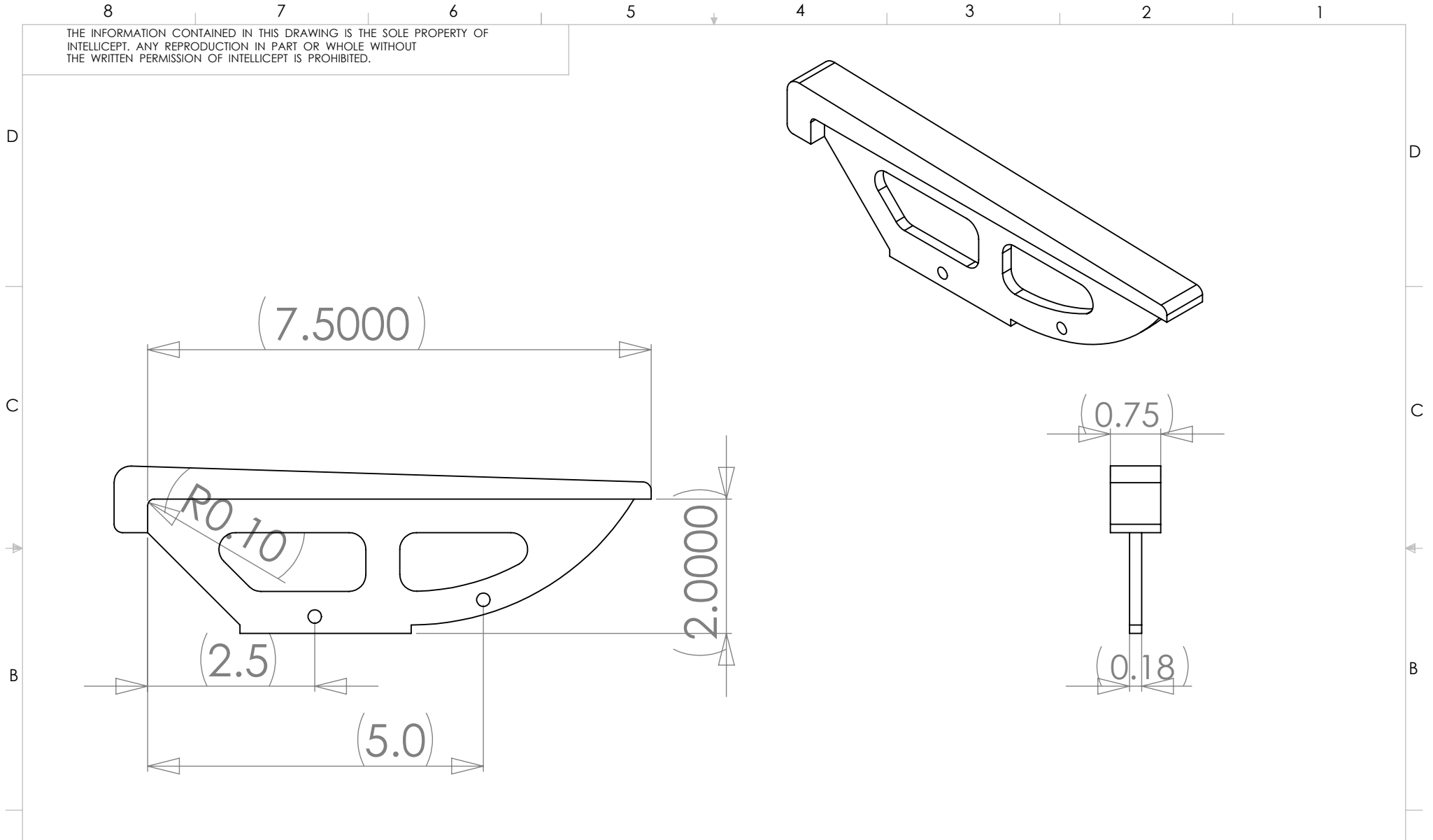


THE INFORMATION CONTAINED IN THIS DRAWING IS THE SOLE PROPERTY OF INTELLICEPT. ANY REPRODUCTION IN PART OR WHOLE WITHOUT THE WRITTEN PERMISSION OF INTELLICEPT IS PROHIBITED.



Material: Cast Bronze

Finish: Brush finish with brown patina

Anchoring: Two 5/16-18 x 1.75" Stainless Locking Pins

Use locking pin in conjunction with two part epoxy

Product Spacing: Approx. 18" from end of the wall and approx 36" centers

INTELLICEPT  
SAN DIEGO, CALIFORNIA, U.S.A.

San Francisco T  
for 1/8" Radius

SIZE A	DWG. NO.	REV.
SCALE	CAD FILE:	SHEET OF