

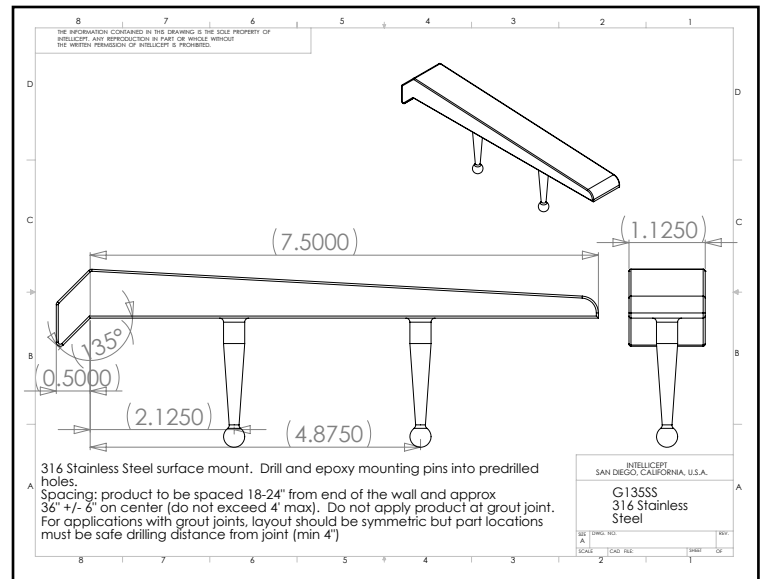
PRODUCT DETAILS

G 135-SS

("G" Series - Surface Mount Stainless Steel)

Description: This 316 Stainless Steel part is designed for walls with 1/2" or greater chamfer corner. G 135-SS is most commonly used on poured concrete, but it may be used on granite, marble or pre-cast concrete. This part uses two concealed G PIN anchors.

This product is not intended for use on steps, stairs, sidewalk curb, or any pedestrian trafficked surfaces.



Material: 316 Stainless Steel

Standard Finish: Brushed

Corner Radius: For 1/2" or greater chamfer corner.

Outside Dimensions: 1-1/8" (wide) x 8" (deep) x 1" (tall)

Anchoring: Anchored with two blind G PINS anchor pins. Use anchors in conjunction with two-part epoxy.

Product Spacing: 18"-24" from end of planters/walls and approximately 36" centers (not to exceed 48"). Do not apply product at grout joint. For applications with grout joints, layout should be symmetric but part locations must be safe drilling distance from joint (min 4").

SKATE STOPPERS
1547 N. Cuyamaca, El Cajon, CA 92020
Tel 619-447-6374 Fax 619-447-6396
www.skatestoppers.com