

PRODUCT DETAILS

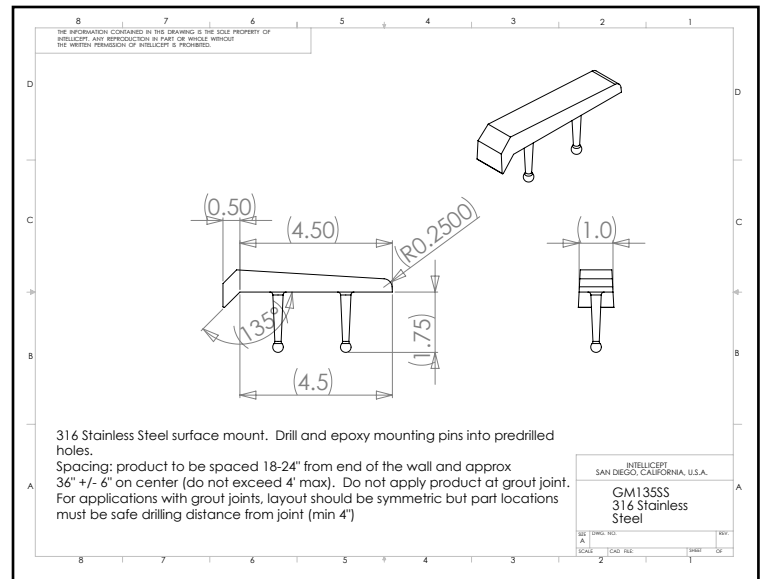
GM135SS

("G-mini" Series - Surface Mount Stainless) Steel



Description: This Stainless Steel part is designed for curbs with chamfer corner. GM135SS is most commonly used on poured concrete, but may be used on granite, marble or pre-cast concrete. The GM135SS is used to complement larger G-series parts. This part uses two concealed G-mini anchors.

This product is not intended for use on steps, stairs, sidewalk curb, or any pedestrian trafficked surfaces.



Material: 316 Stainless Steel

Standard Finish: Brushed

Corner Radius: For corners with 1/2" or greater chamfer corner.

Outside Dimensions: 1" (wide) x 4.5" (deep)

Anchoring: Anchored with two blind G-mini anchor pins. Use anchors in conjunction with two-part epoxy.

Product Spacing: 18"-24" from end of curbs and approximately 36" centers (not to exceed 48"). Do not apply product at grout joint. For applications with grout joints, layout should be symmetric but part locations must be safe drilling distance from joint (min 4").