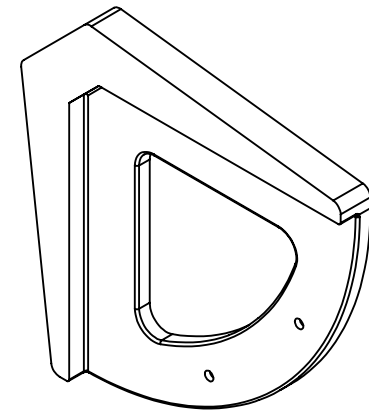
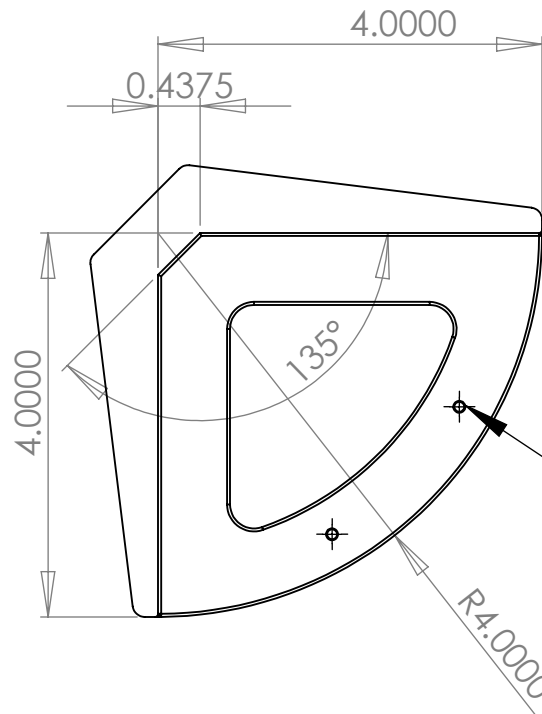


0.4375 Overall
0.2500 Overhang



0.1875 Blade



optional "Locking Pins"
2 per part

Material: Cast Silicon Bronze

Finish: Brush Finish with Brown Patina

Anchoring: Two 5/16-18 x 1.75" Stainless Locking Pin.
Use locking pin in conjunction with two-part epoxy.

Product Spacing: 18" from end of planters/walls and approximately 36" centers.

TITLE:
Conley Insert for 1/2"
Chamfer

PROPRIETARY AND CONFIDENTIAL
THE INFORMATION CONTAINED IN THIS
DRAWING IS THE SOLE PROPERTY OF
INTELLICEPT. ANY REPRODUCTION IN
PART OR AS A WHOLE WITHOUT THE
WRITTEN PERMISSION OF
INTELLICEPT IS PROHIBITED.

MATERIAL

FINISH

SIZE
A

DWG. NO.
Conley135-CutSht2023

REV

SCALE: 1:2 WEIGHT:1.74 lbs SHEET 1 OF 1