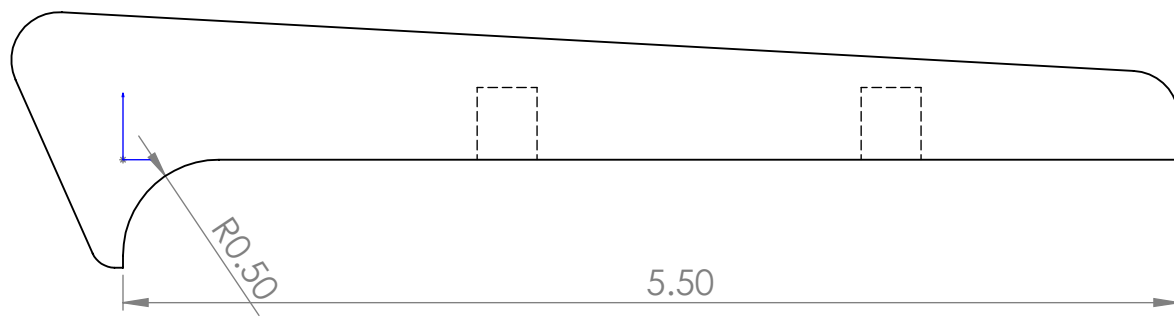
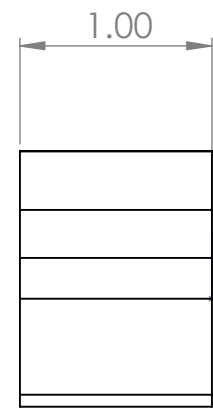
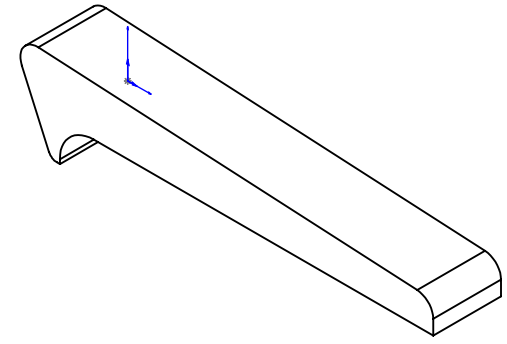
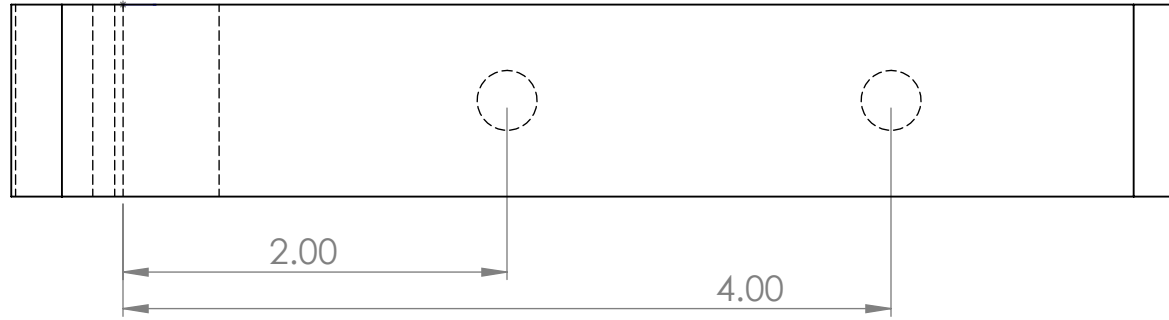


2

1

B

B



6061 T6 Aluminum. Debur. Type II Clear anodize or Hard Anodize.  
Set with two 3/8" x 1-1/2" studs and epoxy.

Spacing: product to be spaced 18-24" from end of the wall and approx 36" +/- 6" on center (do not exceed 4' max). Do not apply product at grout joint. For applications with grout joints, layout should be symmetric but part locations must be safe drilling distance from joint (min 4")

**Not intended for use on steps, stairs, sidewalk curb or any other pedestrian trafficked surface.**

**PROPRIETARY AND CONFIDENTIAL**  
THE INFORMATION CONTAINED IN THIS DRAWING IS THE SOLE PROPERTY OF INTELLICEPT. ANY REPRODUCTION IN PART OR AS A WHOLE WITHOUT THE WRITTEN PERMISSION OF INTELLICEPT COMPANY NAME HERE> IS PROHIBITED.

Intellicept- Makers of SKATESTOPPERS		
TITLE: <b>Gorilla R0.5</b>		
SIZE <b>A</b>	DWG. NO. GOR05CUTSHEET24	REV
		SHEET 1 OF 1

A

A

2

1