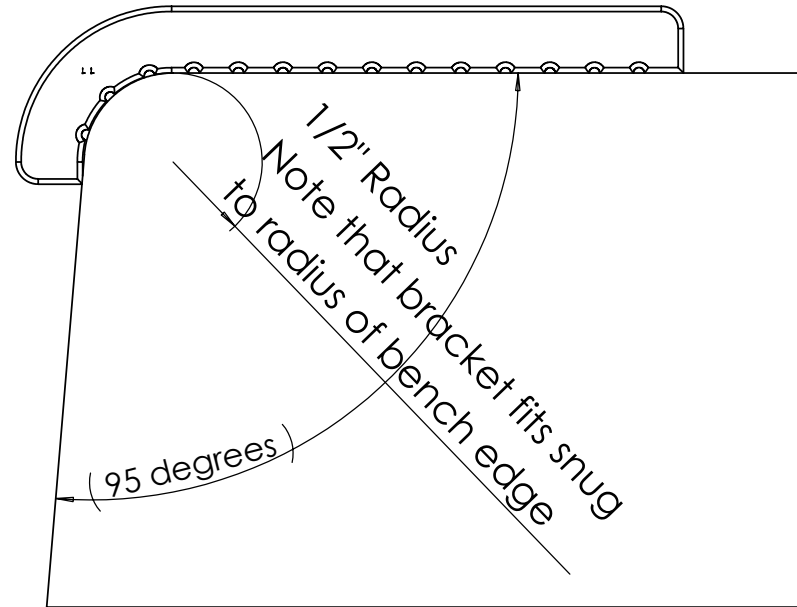
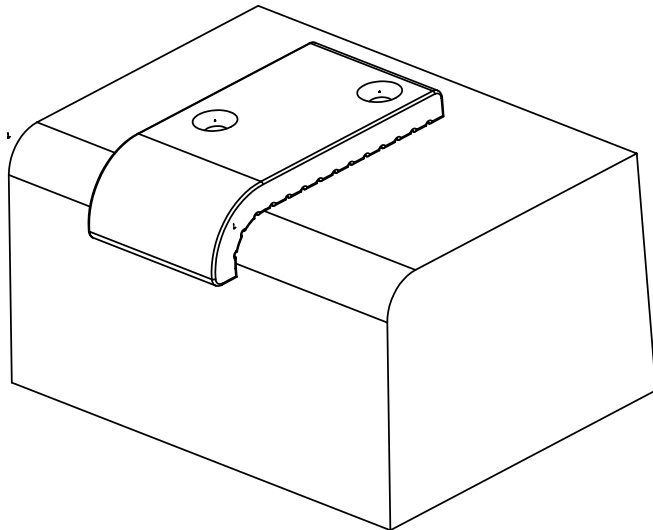


THE INFORMATION CONTAINED IN THIS DRAWING IS THE SOLE PROPERTY OF Intelliccept. ANY REPRODUCTION IN PART OR WHOLE WITHOUT THE WRITTEN PERMISSION OF Intelliccept IS PROHIBITED.

Pins inserted in the same surface.



UNLESS OTHERWISE SPECIFIED
DIMENSIONS ARE IN INCHES

MATERIAL

FINISH

INTELLICEPT, CA USA

FR0.5 Bracket Installed
on 95 degree wall with
1/2" radius corner

SCALE

CAD FILE:

SHEET