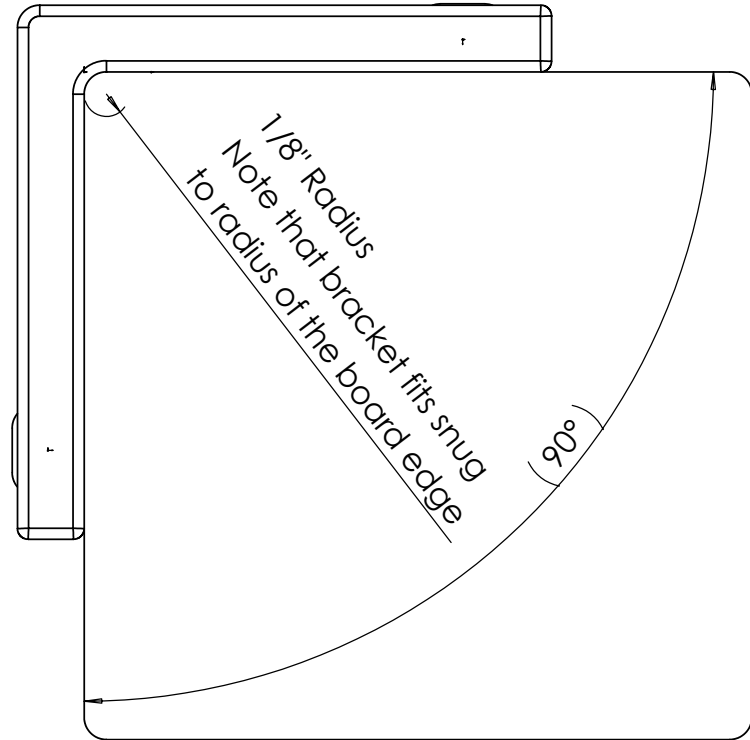
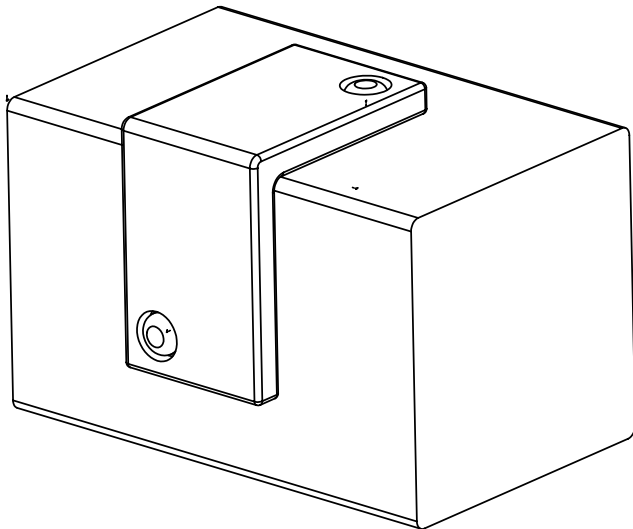


THE INFORMATION CONTAINED IN THIS DRAWING IS THE SOLE PROPERTY OF Intellicept. ANY REPRODUCTION IN PART OR WHOLE WITHOUT THE WRITTEN PERMISSION OF Intellicept IS PROHIBITED.

Pins inserted in different surfaces.



UNLESS OTHERWISE SPECIFIED DIMENSIONS ARE IN INCHES	INTELLICEPT, CA USA	
MATERIAL	FA90 Bracket installed on 90 degree wall with 1/8" radius corner	
FINISH		
SCALE	CAD FILE:	SHEET