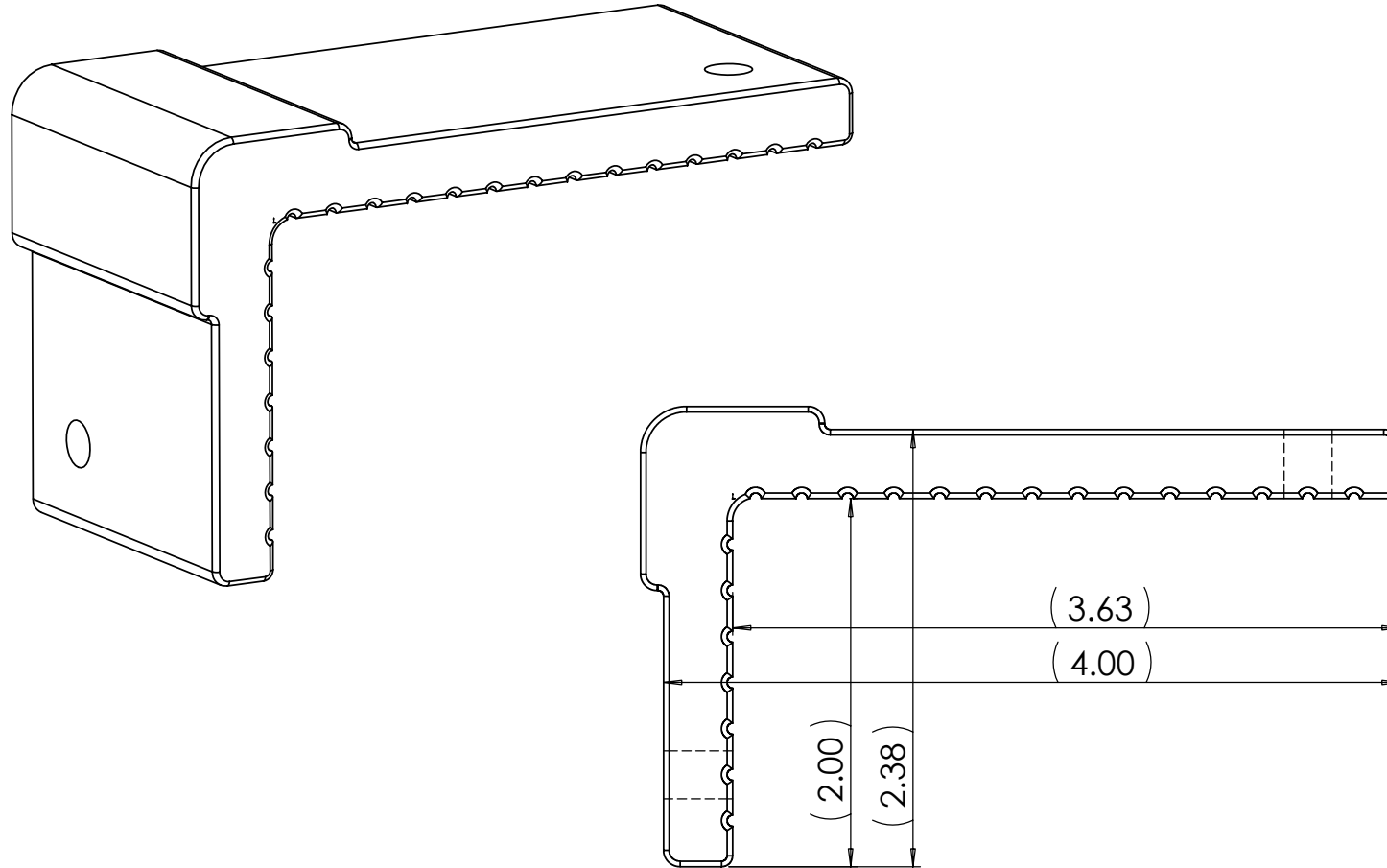


THE INFORMATION CONTAINED IN THIS DRAWING IS THE SOLE PROPERTY OF Intellicept. ANY REPRODUCTION IN PART OR WHOLE WITHOUT THE WRITTEN PERMISSION OF Intellicept IS PROHIBITED.



Material: 6061-T6 Aluminum.

Finish: Hard tumble to remove all machined and/or cut edges.
Type II Clear Anodize or outdoor rated Polyurethane Coat.

Anchoring: Two offset thru holes for 2" Smart Pins Plus. Use anchors in conjunction with two-part impact resistant epoxy.

Product Spacing: 18" from end of planters/walls and approximately 36" centers.

UNLESS OTHERWISE SPECIFIED DIMENSIONS ARE IN INCHES	INTELLICEPT, CA USA		
	FA90 Rev A		
MATERIAL			
FINISH			
SCALE	CAD FILE:	SHEET	