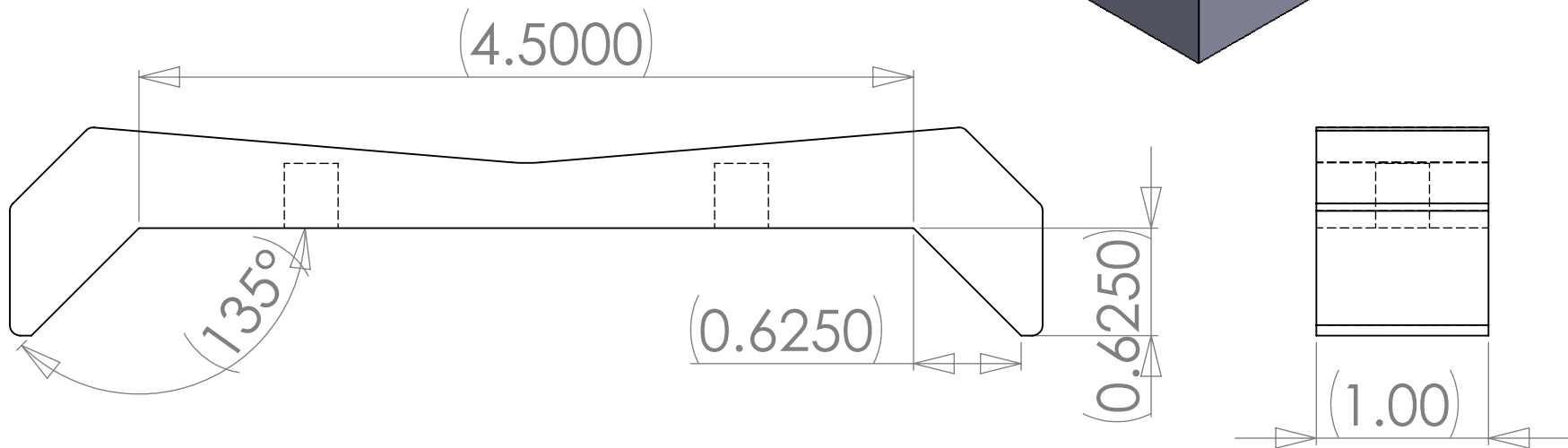
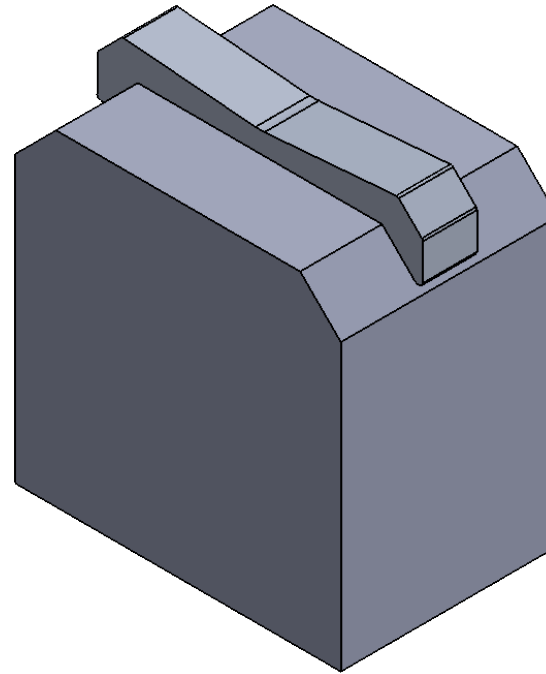


THE INFORMATION CONTAINED IN THIS DRAWING IS THE SOLE PROPERTY OF INTELLECT. ANY REPRODUCTION IN PART OR WHOLE WITHOUT THE WRITTEN PERMISSION OF INTELLECT IS PROHIBITED.

Straddle for 6" wall with 3/4" Chamfer on both sides



6061 T6 Aluminum. Debur. Type II clear anodize or Hard Anodize. Set with two 3/8" x 1-1/2" studs and epoxy. Product spaced at 12-18" from end of the wall and 36" +/- 6" centers.

INTELLECT SAN DIEGO, CALIFORNIA, U.S.A.			
Gorilla 135-6Straddle			
SIZE A	DWG. NO.	REV.	
SCALE	CAD FILE:	SHEET	OF